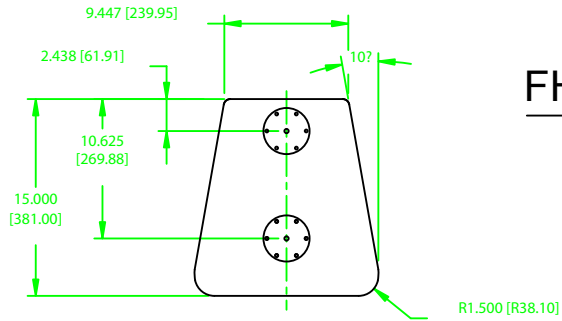
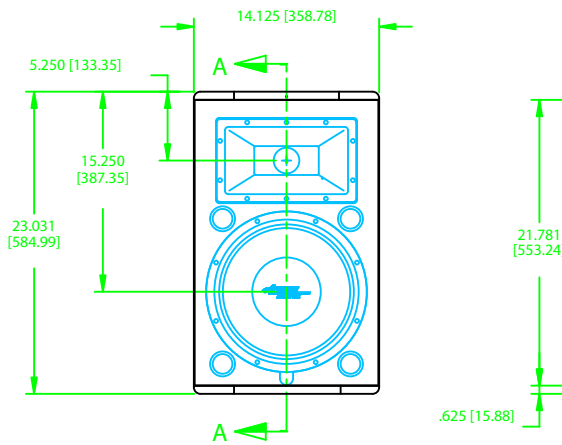
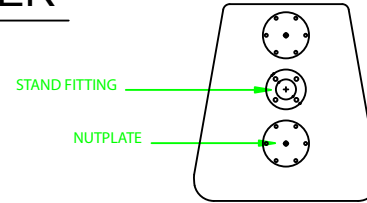


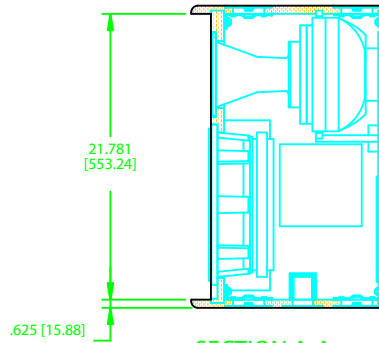
FH-2 LOUDSPEAKER



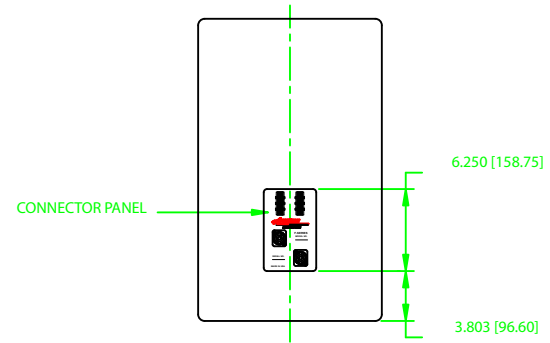
BOTTOM VIEW



FRONT VIEW
W/GRILL REMOVED



SECTION A-A



NOTE: DIMENSIONS ARE IN INCHES & [MILLIMETERS]

<small>INFORMATION CONTAINED IN THIS DOCUMENT IS THE SOLE PROPERTY OF APOGEE SOUND INTERNATIONAL, LLC. REPRODUCTION OF ALL OR ANY PART OF THIS DOCUMENT WITHOUT WRITTEN CONSENT FROM APOGEE SOUND INTERNATIONAL, LLC IS PROHIBITED.</small>	NOT TO SCALE					
	SCALE	1/4	DRAWN			WWE
	PRODUCT NUMBER:	101-1200	REVISION	A	FH-2 LOUDSPEAKER	
	SIZE	D	DRAWING NO.	ZFH-2		